

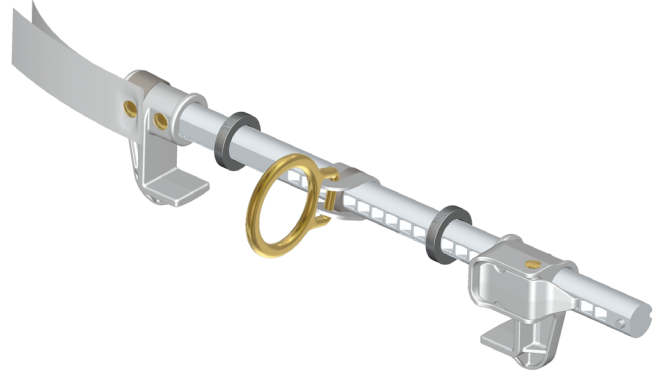


safewaze.com | (P) 704-262-7893 | (F) 704-262-9051
322 Industrial Court, Concord, NC 28025

TECHNICAL DATA SHEET

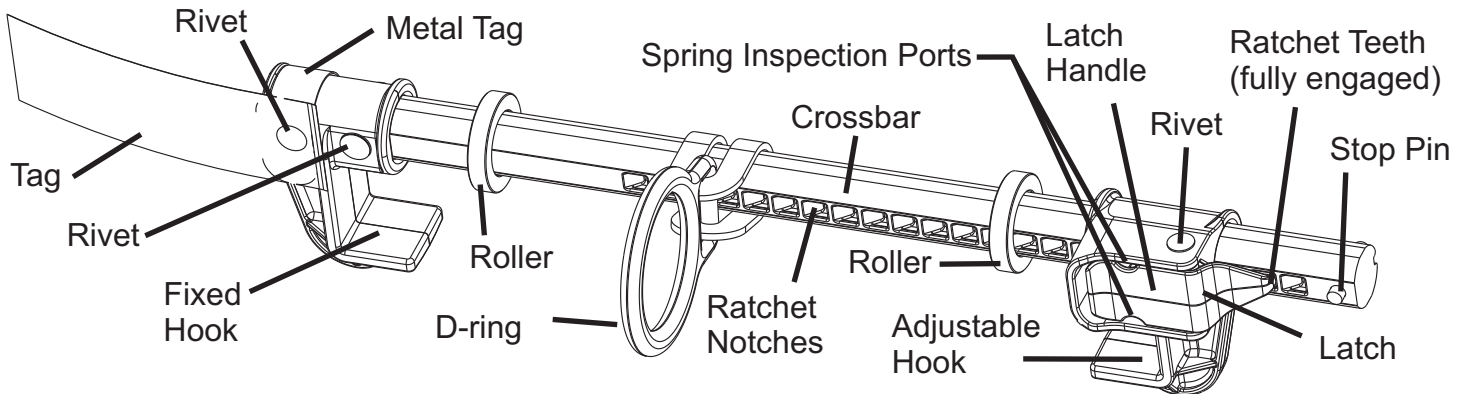
FS860

Premier Beam Anchor



Description	The Safewaze™ premier sliding beam anchor is designed to be used as a single-person anchor point on horizontal beams. It features a double-rivet fixed clamp on one end and a keyed sliding clamp on the other. The centered D-ring prevents jamming on a beam flange, and allows for smoother sliding.
Overall Length	19 in (482.6 mm)
Fits Beam Flange Width	3.5 in (88.9 mm) to 14 in (355.6 mm)
Materials	Forged anodized aluminum cross bar Stainless steel clamps, latches and springs Carbon steel D-ring
Weight	3.75 lbs (1.7 kg)
Minimum Breaking Load	5,000 lbs (2267.96 kg)
Applicable Standards	Meets OSHA 1926.502 - ANSI Z359.1 - ANSI A10.32

***Anchorages used for attachment of personal fall arrest equipment shall be independent of any anchorage being used to support or suspend platforms and be capable of supporting at least 5,000 (22.2kN) pounds per employee attached.**



WARNING! Read, understand, and follow the user instructions provided with this device. Alterations, abuse or misuse of this product could result in serious injury or death. Local, State and Federal laws require that the user be properly trained before using this product. Use with ANSI/OSHA compliant personal fall arrest or restraint systems. Anchors must be inspected before each use. All anchors subjected to a fall, or other damage, must be removed from service and destroy.

- Inspection:**
1. Before each use, visually inspect unit for damage, deformation, excessive wear, corrosion, cracks, or malfunction.
 2. Confirm operation by sliding the Adjustable Hook to each end of the Crossbar. Move the Adjustable Hook toward the Fixed Hook and check to see that the Latch engages by pulling back on the Adjustable Hook and confirming that it locks in place at each of the Ratchet Notches.
 3. Confirm that no parts are missing, such as, any Rivets, the Stop Pin, or the Information Tag.
 4. Inspect the Information Tag and ensure that it is present and fully legible.
 5. Inspect the two Latch Springs for their presence, and for damage or malfunction, by looking through the Spring Inspection Ports.
 6. If the inspection indicates any defect, remove the anchor from service.

Specifications:

Tensile strength: 5000 lbs minimum
 Maximum capacity: one worker with maximum weight of 400 lbs when used as a single point anchorage connector for personal fall arrest or restraint system

Component Materials:

Crossbar: aluminum
 D-ring Bracket: stainless steel
 Clamps and Latch: stainless steel
 D-ring: plated steel

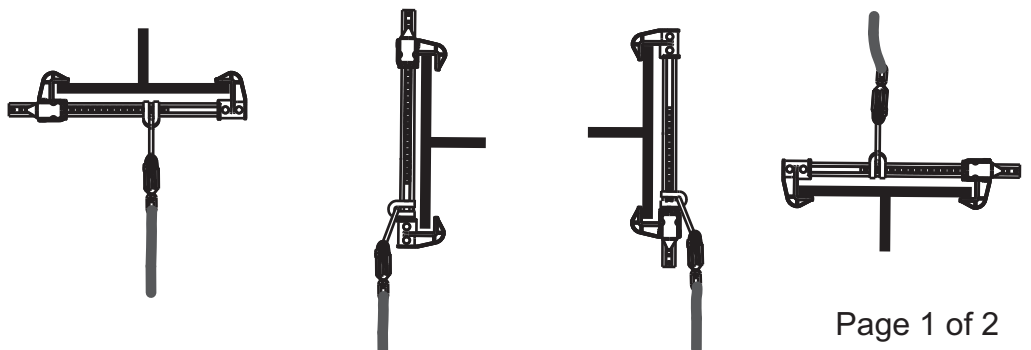
Latch springs: stainless steel
 Assembly hardware: zinc-plated steel

Dimensions:

Weight: 3.9 lbs
 Overall dimensions: 18 1/4" x 3 7/8" x 2 3/8"
 Beam flange width capacity: 3 1/2" - 14"
 Beam flange thickness capacity: 1 1/4"

Regulatory compliance:

Meets or exceeds ANSI Z-359.1 and ANSI A10.32 and OSHA 1926.502.



INSTALLATION:

1. Locate a structural steel beam flange capable of withstanding a 5,000 lb. static load or meeting OSHA 1926.502 requirements for a safety factor of two. The anchor may be attached to a flange located on the top, bottom, or side of the beam.
2. Push in on the Latch handle to allow the Adjustable Hook to move.
3. Fit the Hooks over the edges of the beam flange, keeping the unit perpendicular to the beam.
4. Slide the Adjustable Hook so that both Hooks are snug against the beam flange.
5. Pull back on the Adjustable Hook to ensure that the Ratchet Teeth are fully seated in the nearest Ratchet Notches.
6. Tug, rock, and twist the anchor to ensure that it cannot come off of the flange.

ALWAYS readjust according to steps 1 through 6, above, when moving to a new or different size beam.

MAINTENANCE, CLEANING & STORAGE: Servicing must be performed by the manufacturer only. Only OEM parts may be used to repair the product. Cleaning periodically will prolong the life and proper functioning of the product. Clean with compressed air and/or a stiff brush using plain water or a mild soap and water solution. Do not use any corrosive chemicals that could damage the unit. Wipe all surfaces with a clean dry cloth, then hang to dry or use compressed air. The storage area should be clean, dry, and free of corrosive or other degrading elements.

TRAINING: It is the responsibility of the user and purchaser of this equipment to be familiar with the instructions, operation, limitations and consequences of improper use of this equipment. Users and purchasers of this equipment must be trained in the correct use and care of this equipment. It is recommended that this be part of an ongoing training schedule.

THESE TAGS ARE ATTACHED TO THE UNIT:



Sliding Beam Anchor Model # FS860

MFG DATE: Feb 2016

⚠ WARNING: Manufacturer's instructions **MUST** be followed at all times. Use only with ANSI/OSHA personal fall arrest or restraint systems. 5000 lbs min. break strength. Max. capacity: one worker with max. weight of 400 lbs when used as a single point anchorage connector for personal fall arrest or restraint system. Materials of construction: stainless steel, steel, zinc & aluminum plating, aluminum, polymer. Remove from service if involved in a fall. Do not remove this label.

US PATENTS: 6962234, 7111707 MEETS ANSI Z359.1, A10.32 & OSHA 1926-502



	JAN	FEB	MAR	APR	MAY	JUN	JUL	AUG	SEP	OCT	NOV	DEC
2016												
2017												
2018												
2019												
2020												